



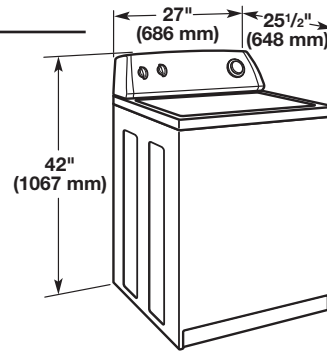
# Top Load Washer

## PRODUCT MODEL NUMBERS

RTW4000S, RTW4100S, RTW4000W,  
RTW4305V, RTW4440V

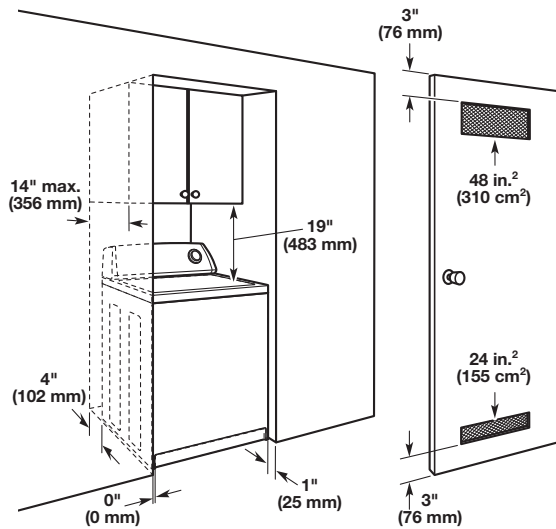
**Electrical:** A 120 volt, 60 Hz., AC only, 15- or 20-amp, fused electrical supply is required. A time-delay fuse or circuit breaker is recommended. It is recommended that a separate circuit serving only this appliance be provided.

## OVERALL DIMENSIONS



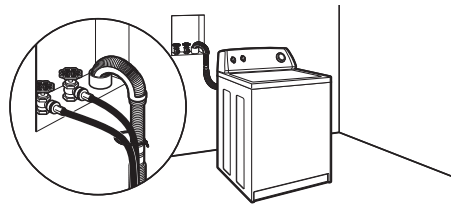
## RECESSED AREA OR CLOSET INSTALLATION

For closet installation, with a door, the minimum ventilation openings in the top and bottom of the door are required. Louvered doors with equivalent air ventilation openings are acceptable.

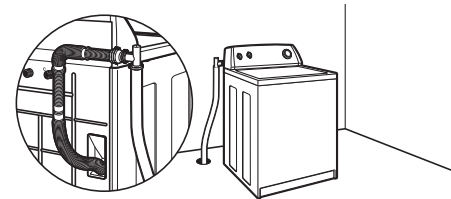


## DRAIN SYSTEM OPTIONS

### Wall standpipe drain system

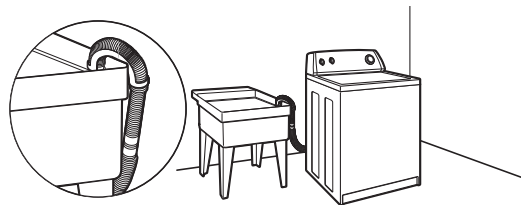


### Floor drain system



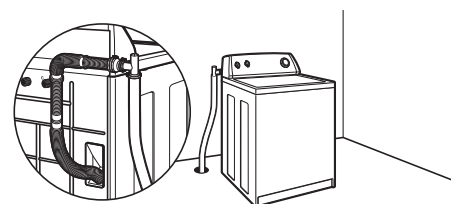
Minimum diameter for a wall or floor standpipe drain: 2" (51 mm). Minimum carry-away capacity: 17 gal (64L) per minute. Top of standpipe must be at least 39" (991 mm) high; install no higher than 96" (2.4 m) from bottom of washer. A sump pump system is required for higher installations.

### Laundry tub drain system



Minimum capacity: 20 gal (76 L). Top of laundry tub must be at least 39" (991 mm) above floor; install no higher than 96" (2.4 m) from bottom of washer.

### Floor drain system



Floor drain systems require a Siphon Break Kit (Part No. 280129) and additional drain hose (Part No. 3357090). Minimum siphon break: 28" (711 mm) from bottom of washer. Additional hoses might be needed.